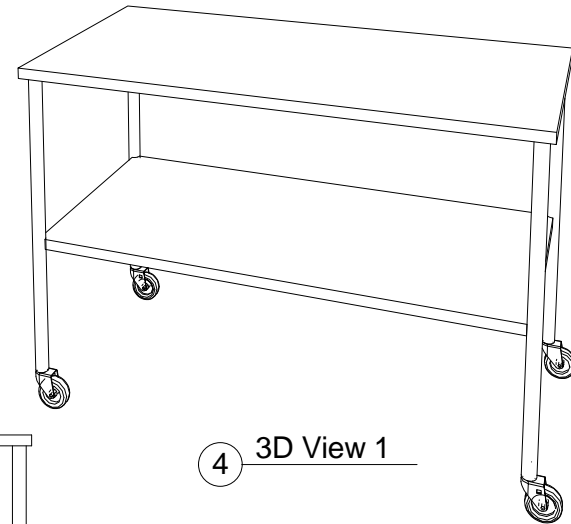
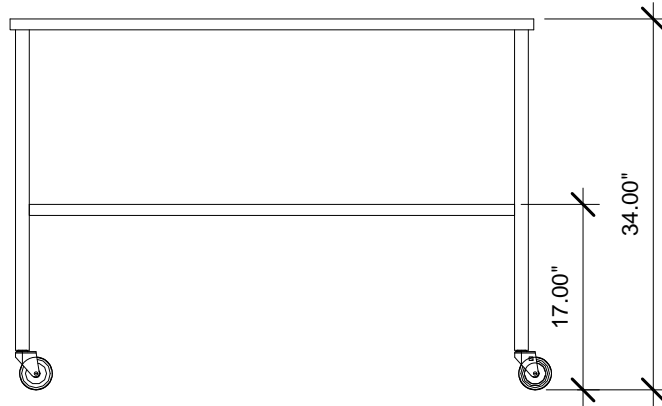


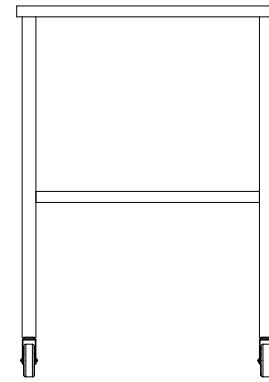
① Top
3/4" = 1'-0"



④ 3D View 1



② Front
3/4" = 1'-0"



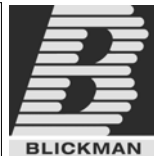
③ Right
3/4" = 1'-0"

ALL 304 S/S CONSTRUCTION.
(4) 3" DIAMETER SWIVEL CASTERS
(2) W/BRAKES

PO#: _____ DATE: _____

APPROVAL: _____

TITLE: _____



	NAME	DATE
DRAWN	JG	7/10/12
ENG APPR.		
MATERIAL		
304 S/S		
FINISH		
POL # 4		
APPRX WEIGHT = lbs		
DO NOT SCALE DRAWING		

BLICKMAN, INC CLIFTON, NJ		
TITLE: 7835SS		
HOWARD TABLE		
SIZE A	DWG. NO. 0117835000	REV
SCALE: 1:16		SHEET 1 OF 1

PROPRIETARY AND CONFIDENTIAL
THE INFORMATION CONTAINED IN THIS
DRAWING IS THE SOLE PROPERTY OF
BLICKMAN HEALTH INDUSTRIES. ANY
REPRODUCTION IN PART OR AS A WHOLE
WITHOUT THE WRITTEN PERMISSION OF
BLICKMAN HEALTH INDUSTRIES IS PROHIBITED.

UNLESS OTHERWISE SPECIFIED:
DIMENSIONS ARE IN INCHES
BEND RADIUS = MTL THK.
TOLERANCES:
FRACTION: ± 1/32"
DECIMAL: ± .031"

5

4

3

2

1